



Total Solution Provider in Saw Device

SA836DL

CDMA , RF-Tx SAW Filter
Revision 0:



- Electrical Characteristics
 - Package Dimensions
 - Testing Environment
 - Frequency Characteristics
-

SAWNICS Inc.

460 Cheonheung-ri, Seonggeo-eup, Cheonan-si, Chungcheongnam-do, 330-836 / Korea.
Tel: +82 41 550 9372 / Fax: +82 41 550 9399 / www.sawnics.com

□ Electrical Characteristics

Maximum Ratings

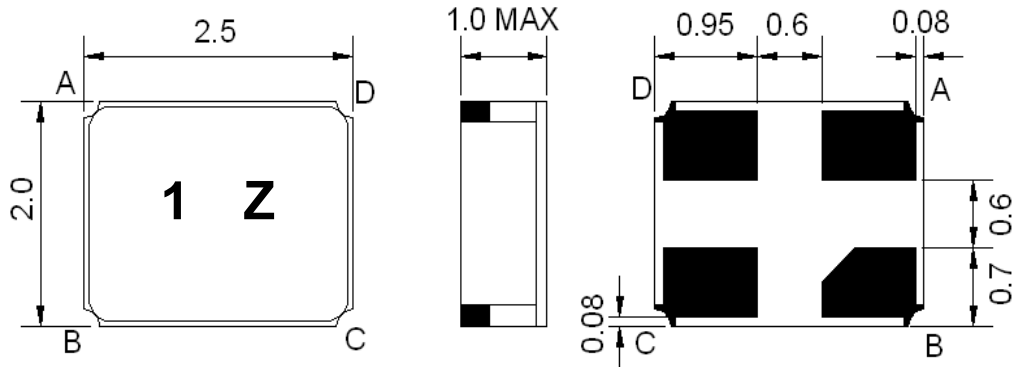
Parameters Description	Unit	Minimum	Typical	Maximum
Operating Temperature Range	°C	-30	-	+80
Storage Temperature Range	°C	-40	-	+85
Maximum DC Voltage	V	-	-	5
Maximum Input Power	dBm	-	-	15
Source Impedance (single ended) ⁽¹⁾	Ω	-	50	-
Load Impedance (single ended) ⁽¹⁾	Ω	-	50	-
Package type & size	L			
Length x Width	mm ²	-	2.5 x 2.0	-
Height	mm	-	-	1.0

Electrical Specification

Parameters Description	Unit	Minimum	Typical	Maximum
Center Frequency (Fo)	MHz	-	836.5	-
Insertion Loss within 824~849MHz	dB	-	2.2	2.8
Amplitude Ripple within 824~849MHz	dB _{p-p}	-	0.6	1.3
Attenuation:				
D.C. ~ 790 MHz	dB	45	52	-
790 ~ 810 MHz	dB	40	45	-
869 ~ 894 MHz	dB	25	29	-
894 ~ 914 MHz	dB	33	43	-
914 ~ 2000 MHz	dB	40	49	-
2000 ~ 3000 MHz	dB	27	29	-
VSWR within 824~849MHz	-	-	1.67	2.1

Notes : (1) No Matching Network (Ref. Testing Environment Circuit as shown below).

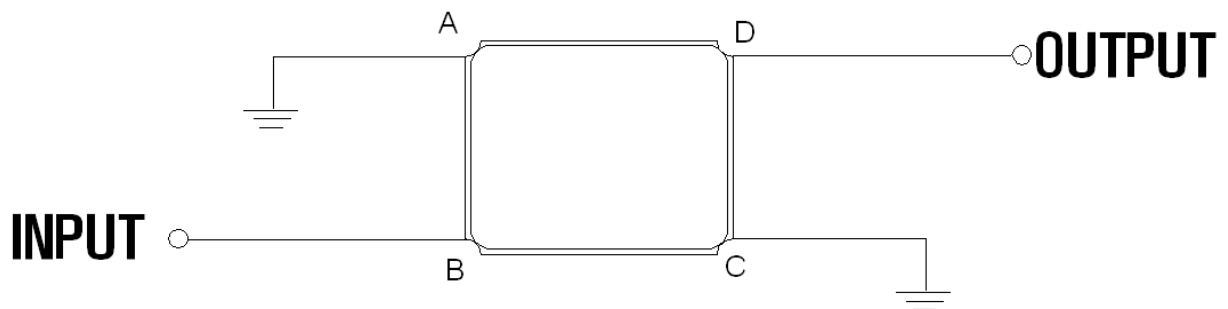
Package Dimensions



Marking Descriptions	
1	Series Number
Z	Date Code(Year+Month)

Pin Description	
A, C	Ground
B	In
D	Out

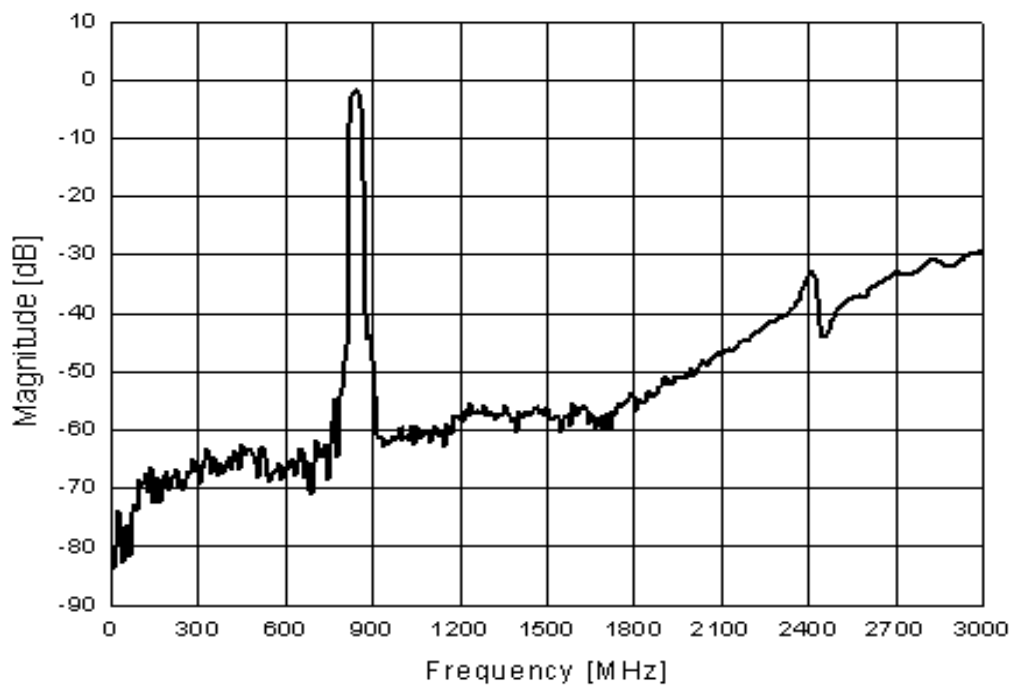
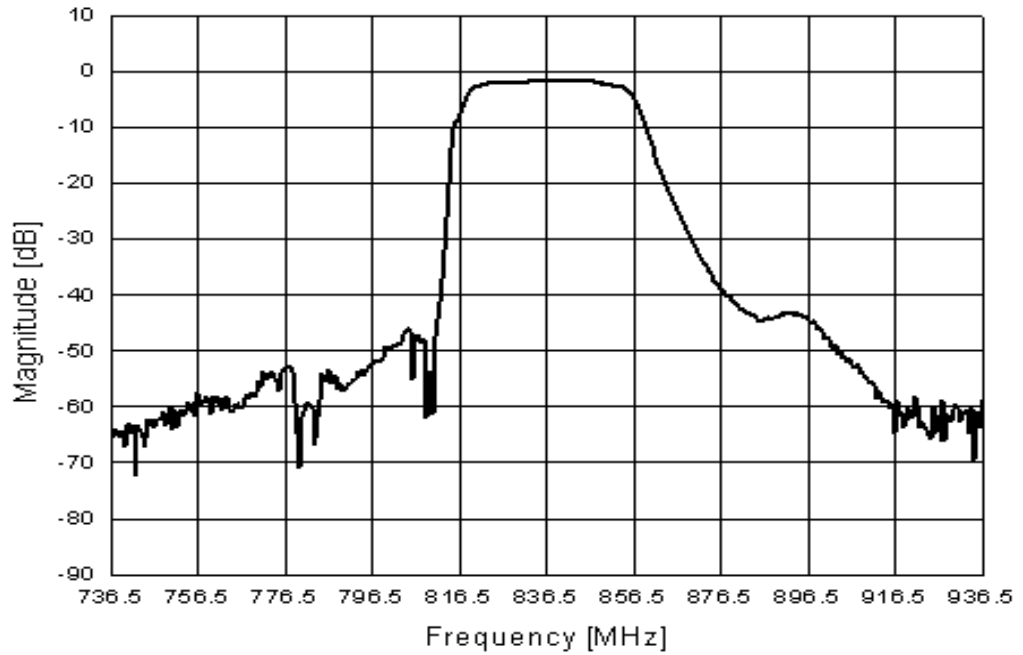
Testing Environment



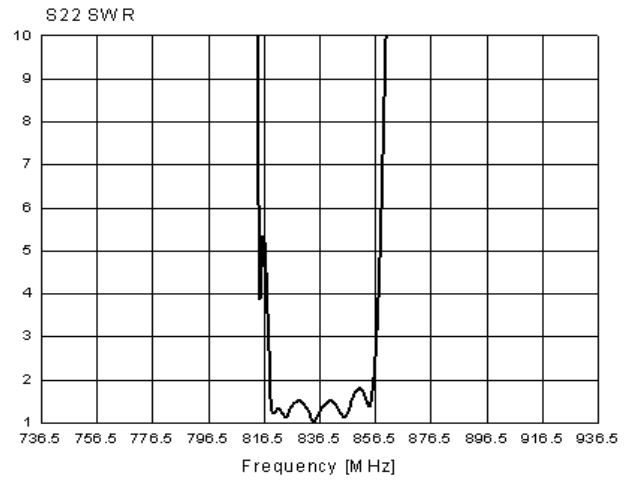
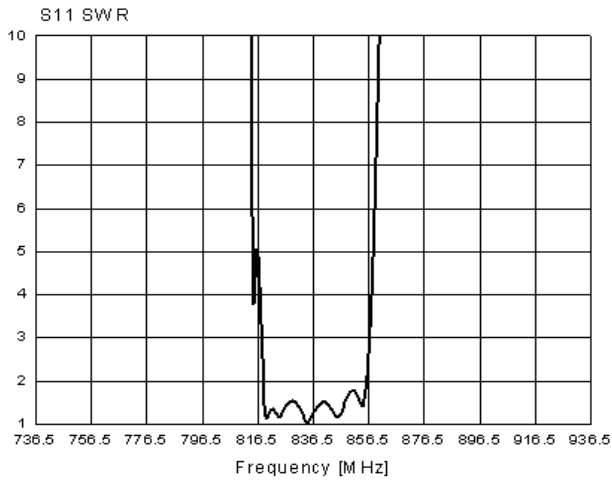
Source & Load Impedance: 50 Ω

□ Frequency Characteristics

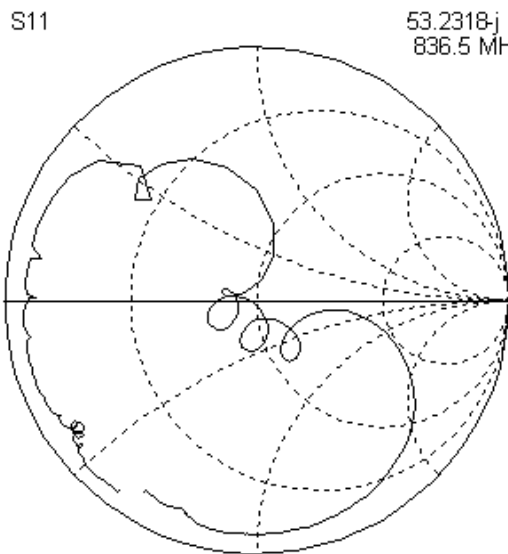
Frequency Response



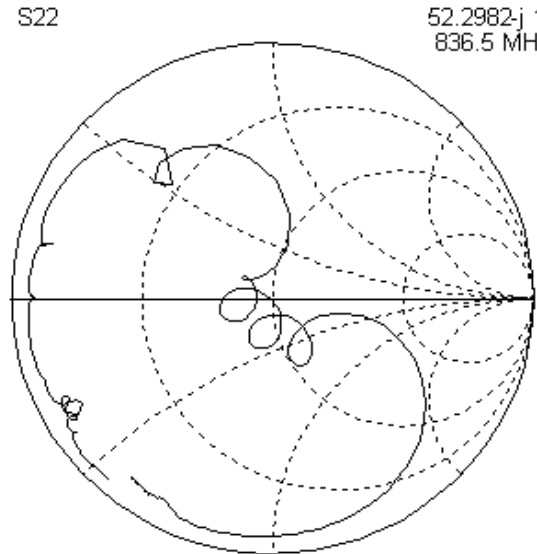
VSWR



Smith Chart



53.2318-j 11.1364
836.5 MHz



52.2982-j 11.329
836.5 MHz